

JQX-14FF

MINIATURE HIGH POWER RELAY



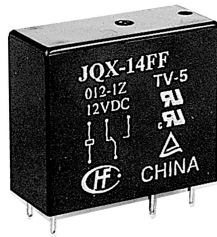
File No.:E134517



File No.:R9659296



File No.:CH0023315-2002A



Features

- 10A switching capabilities
- SPST-NO and SPDT configurations
- 5KV dielectric between coil to contacts
- Sealed and Unsealed types available

CONTACT DATA

Contact Arrangement	1A, 1C
Initial Contact Resistance Max.	50mΩ(at 1A 24VDC)
Contact Material	AgCdO
Contact Rating (Res. Load)	10A 220VAC/30VDC TV-5
Max. switching voltage	277VAC/30VDC
Max. switching current	10A
Max. switching power	2770VAC/300W
UL/CUR rating	10A 277VAC/30VDC TV-5 1/4HP 125VAC 1/3HP 250VAC
TÜV rating	10A 250VAC/30VDC
Mechanical life	1 x 10 ⁷ OPS
Electrical life	1 x 10 ⁶ OPS

COIL

Coil power	0.55W
------------	-------

COIL DATA

Nominal Voltage VDC	Pick-up Voltage VDC	Drop-out Voltage VDC	Max. allowable Voltage VDC(at 20°C)	Coil Resistance Ω
3	2.25	0.3	4.2	17 ± 10%
5	3.75	0.5	7.0	47 ± 10%
6	4.50	0.6	8.4	68 ± 10%
9	6.75	0.9	12.6	160 ± 10%
12	9.00	1.2	16.8	275 ± 10%
18	13.5	1.8	25.2	650 ± 10%
24	18.0	2.4	33.6	1100 ± 10%
48	36.0	4.8	67.2	4170 ± 10%
60	45.0	6.0	84.0	7000 ± 10%

Note:When require pick-up voltage < 75% of nominal voltage, special order allowed.

CHARACTERISTICS

Initial Insulation Resistance	1000MΩ, 500VDC	
Dielectric Strength	Between coil and Contacts	5000VAC 1min.
	Between open contacts	1000VAC 1min.
Operate time (at nomi. Volt.)	15ms	
Release time (at nomi. Volt.)	5ms	
Vibration Resistance	1.5mm, 10 to 55Hz	
Shock Resistance	Functional	100 m/s ²
	Destructive	1000 m/s ²
Humidity	98%, +40°C	
Ambient temperature	-40°C to +70°C	
Termination	PCB	
Unit weight	Approx. 18g	
Construction	Sealed & Unsealed	

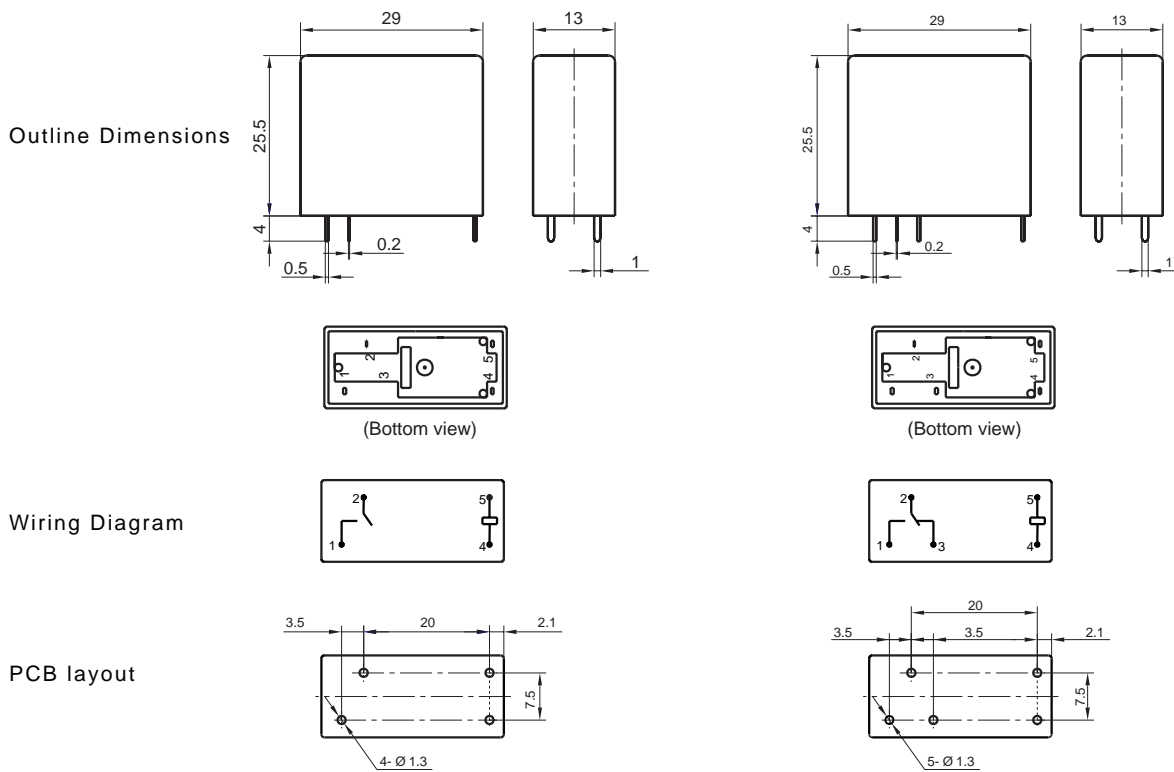


HONGFA RELAY
ISO9001/QS9000/ISO14000 CERTIFIED

ORDERING INFORMATION

Type	JQX-14FF /	012	1H	S
Coil voltage 3, 5, 6, 9, 12, 18, 24, 48, 60VDC				
Contact arrangement 1H: 1A(SPST-NO) 1Z: 1C(SPDT)				
Structure Nil: Unsealed S: Sealed				

OUTLINE DIMENSIONS, WIRING DIAGRAM AND PC BOARD LAYOUT



CHARACTERISTICS CURVE

